

CS-I4US L-2.8-12mm 4MP Motorized IR Bullet Camera

Value Series



KEY FEATURES

- Metal+plastic housing
- Up to 4MP,2560×1440@30fps
- S+265/H.265/H.264B/H.264M/H.264H
- Color:0.002Lux@(F1.6,AGC ON),B/W:0Lux with IR
- IR range up to 80m
- 1× Built-in Mic
- Support microSD/microSDHC/microSDXC card, up to 512GB
- Operating conditions -30°C~60°C(-22°F~140°F), ≤95%RH
- DC12V±25%,Max. 8W, PoE:IEEE 802.3af,Max. 8.5W
- IP67



Email: sales@canadasecurity.com
Website: canadasecurity.com

US : +1 301 900 1000
CA : +1 289 800 9000

SPECIFICATIONS

Camera

Image Sensor	1/3"CMOS
Min. Illumination	Color:0.002Lux@(F1.6,AGC ON),B/W:0Lux with IR
Shutter Time	1s~1/100000s
Day&Night	IR-cut filter with auto switch (ICR)
Smart IR	Yes
WDR	TWDR
S/N	>42dB
Angle Adjustment	0~360°(P); 0~90°(T); 0~360°(R)

Lens

Lens Type	Motorized
Focal Length	2.8~12mm
Lens Mount	Φ14
Aperture Range	F1.6
Aperture Type	Fixed
Field of View	102.9°~31.4°(H); 55°~17.9°(V); 116.7°~36.1°(D)
DORI Distance	Detect:56.00m Observe:22.22m Recognize:11.20m Identify:5.60m

Illuminator

IR LEDs	4
IR Distance	Up to 80m
Wavelength	850nm

Compression Standard

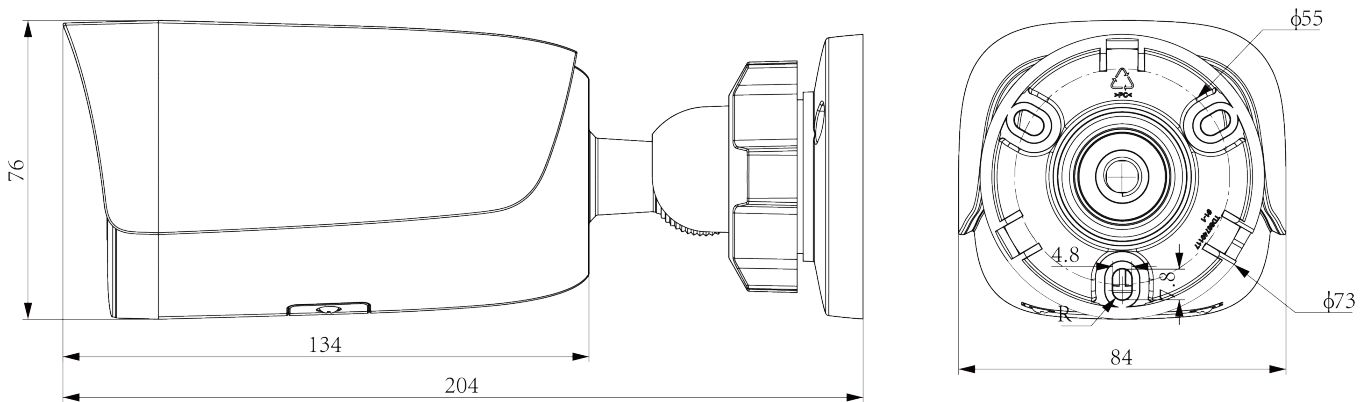
Video Compression	S+265/H.265/H.264B/H.264M/H.264H
Video Bit Rate	32k~6Mbps
Audio Compression	G.711A/G.711U/ADPCM_D
Audio Sampling Rate	8kHz/32kHz/48kHz

Image

Max. Resolution	4MP,2560×1440@30fps
Main Stream	PAL:25fps(2560×1440,2304×1296,1920×1080,1280×720) NTSC:30fps(2560×1440,2304×1296,1920×1080,1280×720)
Sub Stream	PAL:25fps(704×576,704×288,640×360,352×288) NTSC:30fps(704×480,704×240,640×360,352×240)
BLC	Yes
HLC	Yes
AGC	Yes

3D DNR	Yes
White Balance	Auto/Semi-Auto/Manual/Sunshine/Nature Light/Warmlight Lamp/Daylight Lamp/Filament Lamp/Lock White Balance
ROI	8 rectangular static areas
OSD	Overlay of additional characters in 1 regions, 1 line, with a maximum of 48 characters per region; 16*16/32*32/48*48/64*64; Lattice
Privacy Mask	4 black static areas
Defog	Yes
Feature	
General Alarm	Smart Alarm(human and vehicle detection)
Exceptions Alarm	Disk Full; Disk R/W Error; IP Address Conflict; Network Disconnection
Linkage Method	Trigger Recording; Trigger Capture; Notify Surveillance Center
Network	
ANR	Yes
Protocols	RTSP; HTTP; TCP; UDP; UPnP; ICMP; SNMP; DHCP; DNS; DDNS; Easy DDNS; NTP; TLS v1.2; QoS; IPv4; SSH; Unicast; ARP; FTP
System Compatibility	P2P(Mutually exclusive with Profile G); ONVIF(Profile S/T/G) ; SDK; CGI; Milestone
Remote Connection	≤2
Client	NetVideo
Mobile Client	Video Sight
Web	IE10+; Firefox52+; Edge89+; Safari11+; Chrome57+
Interface	
Communication Interface	1×RJ-45 (10/100 Base-T)
Built-in Mic	1×Built-in Mic
Reset Button	Yes
On-board Storage	Support microSD/microSDHC/microSDXC card, up to 512GB
General	
Web Client Language	18 languages English/Spanish/Korean/Italian/Turkish/Russian/Thai/French/ Polish/Dutch/Hebrew/Arabic/Vietnamese/German/Ukrainian/Portuguese/Albanian/Greek
Operating Temperature	-30°C~60°C(-22°F~140°F)
Operating Humidity	≤95%RH
Storage Temperature	-30°C~60°C(-22°F~140°F)
Storage Humidity	10%~95%RH(non-condensing)
Power Supply	DC12V±25%,Max. 8W; PoE:IEEE 802.3af,Max. 8.5W
Protection	Surge4000V; ESD6000V; IP67
Boundary Dimensions	204(L)84(W)76(H)mm
Package Dimensions	280(L)125(W)140(H)mm

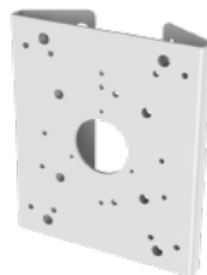
DIMENSIONS (Unit: mm)



Assembly diagram of Junction Box



CS-P54BM Spec:V5



A36