

CS-I5KS S-2.8mm

5MP Fixed Dome Network Camera



Sharp Series



KEY FEATURES

- Metal+Plastic Housing
- Up to 2592x1944@20fps
- S+265/H.265/H.264
- Min. illumination Color: 0.002Lux@F1.6
- 120dB WDR
- Smart IR, IR Range: 30m
- Support tripwire and perimeter
- Built-in Mic, SD Card Slot, Reset Button
- Operating Conditions -40°C~60°C, 0~95% RH
- POE, IP67, IK10



Email: sales@canadasecurity.com
Website: canadasecurity.com

US : +1 301 900 1000
CA : +1 289 800 9000

SPECIFICATIONS

Camera	
Image Sensor	1/2.8" CMOS
Signal System	PAL/NTSC
Min. Illumination	Color: 0.002Lux@ (F1.6, AGC ON), B/W: 0Lux with IR
Shutter Time	1s to 1/100,000s
Day & Night	Dual IR Cut Filter with Auto Switch
Wide Dynamic Range	120dB
Angle Adjustment	pan 0~330°, tilt 0~75°, rotate 0~350°
Lens	
Lens Type	Fixed
Focus	2.8mm
Lens Mount	M12
Aperture	F1.6, Fixed
FOV	Horizontal field of view: 94.7°
Illuminator	
IR LEDs	8
IR Range	Up to 30m
Wavelength	850nm
White/Warmlight LEDs	N/A
Compression Standard	
Video Compression	S+265/H.265/H.264
Video Bit Rate	32Kbps~6Mbps
Audio Compression	G.711/G.711U/ADPCM
Audio Bit Rate	8K~48Kbps
Image	
Max. Resolution	2592×1944
Main Stream	PAL: 20fps (2592×1944, 2592×1520), 25fps (2560×1440, 2304×1296, 1920×1080, 1280×720) NTSC: 20fps (2592×1944, 2592×1520), 25fps (2560×1440), 30fps (2304×1296, 1920×1080, 1280×720)
Sub Stream	PAL: 25fps (704 576, 704 288, 640 360, 352 288) NTSC: 30fps (704 480, 704 240, 640 360, 352 240)
Third Stream	N/A
Image Setting	Saturation, brightness, contrast, sharpness, adjustable by client software or web browser
Image Enhancement	BLC/3D DNR/HLC
ROI	N/A
OSD	16 16, 32 32, 48 48, 64 64, adaptable size, Letters Such as Week, Date, Time, Total 3 Regions
Picture Overlay	N/A
Privacy Mask	Yes, 4 regions
Smart Defog	Yes
Feature	
Alarm Trigger	Motion Detection, Mask Alarm, IP Address Conflict
Video Analytics	Tripwire, Perimeter
Early Warning(EW)	N/A

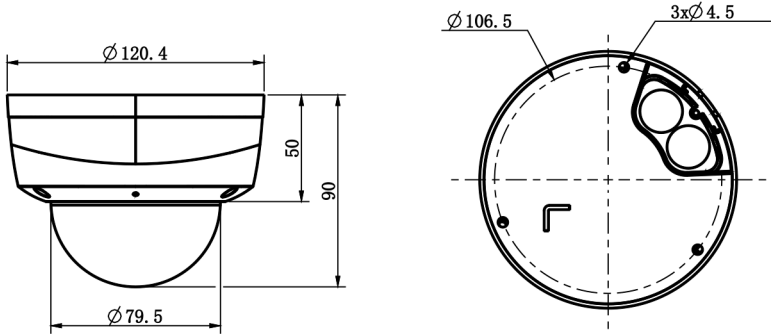
Network	
ANR	N/A
Protocols	TCP/IP, HTTP, FTP, DHCP, DNS, DDNS, IPV4, NTP, UDP, Telnet, ICMP, RTP, RTSP, UPnP
System Compatibility	ONVIF (PROFILE S/T/G), SDK, CGI (IE), P2P(Mutually exclusive with Profile G)
Remote Connection	≤7
Client	NetVideo / Video Sight
Web Version	Web6
Interface	
Communication Interface	1 RJ45 10M/ 100M self adaptive Ethernet port
Audio	1/1, Mic in
Alarm	1/1
Reset Button	Yes
On-board storage	Built-in Micro SD card slot, up to 512 GB
General	
Firmware Version	-
Web Client Language	14 languages English, Russian, Spanish, Korean, Italian, Turkish, Chinese, Thai, French, Polish, Dutch, Hebraism, Arabic, Vietnamese
Operating Conditions	-40°C~65°C , 0~95% RH
Power Supply	DC 12V±25%, PoE (802.3af)
Power Consumption	MAX: 5W (12V) MAX: 6W (PoE)
Protection	IP67, IK10, Lightning protection, surge protection and voltage transient protection meets EN 55035:2017
Heater	N/A
Dimensions	Φ120 90mm (4.72 3.54inch)
Weight	0.4Kg (0.88lb)

* Listed resolutions are only selectable options. It does not mean that all streams can work at their maximum resolution at the same time.

AVAILABLE MODEL

CS-I5KS S-2.8mm

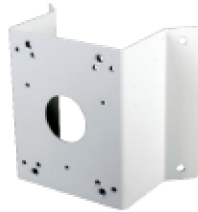
DIMENSIONS (Unit: mm)



ACCESSORIES



A36
Pole Mount



A35
Corner Mount



811
Junction Box



A29
Wall Mount



A25
Corner/Pole Mount



A20
Pendant Mount

DISTRIBUTED BY

