



CS-I86V I-180 8MP Fixed 180° PhotonX Turret Camera



Intelligent Series



KEY FEATURES

- Metal housing
- Up to 8MP,4640×1728@25fps
- S+265/H.265/H.264B/H.264M/H.264H/Motion JPEG
- Color:0.0009Lux@(F1.0,AGC ON),B/W:0Lux with IR
- IR range 30m
- 1× Built-in Mic, 1× Built-in Loudspeaker
- Support microSD/microSDHC/microSDXC card,up to 512GB
- Support smart surveillance
- Support human/vehicle classification
- Operating conditions -35°C~65°C(-31°F~149°F), ≤95%RH
- DC12V±25%,Max. 12W, PoE:IEEE 802.3at,Max. 14.5W
- IP67



Email: sales@canadasecurity.com
Website: canadasecurity.com

US : +1 301 900 1000
CA : +1 289 800 9000

SPECIFICATIONS

Camera	
Image Sensor	Dual 1/2.7"CMOS
Min. Illumination	Color:0.0009Lux@(F1.0,AGC ON),B/W:0Lux with IR
Shutter Time	1s~1/100000s
Day&Night	Fixed IR-cut
Smart IR	Smart IR
WDR	120dB
S/N	>46dB
Angle Adjustment	0~360°(P); 0~77°(T); 0~360°(R)
Lens	
Lens Type	Fixed focal lens
Focal Length	2.8mm
Lens Mount	M12
Aperture Range	F1.0
Aperture Type	Fixed
Field of View	180°(H)±10°; 65°(V)±5°; 191°(D)±5°
DORI Distance	Detect:56m Observe:22m Recognize:11m Identify:5.6m
Illuminator	
IR LEDs	4
IR Distance	30m
Wavelength	850nm
White LEDs	4
Whitelight Distance	30m
Red and Blue Alarm Flash	Red and Blue Alarm Flash
Compression Standard	
Video Compression	S+265/H.265/H.264B/H.264M/H.264H/Motion JPEG
Video Bit Rate	32k~16Mbps
Audio Compression	G.711A/G.711U/ADPCM_D/AAC_LC
Audio Sampling Rate	8kHz/32kHz/48kHz
Image	
Max. Resolution	8MP,4640×1728@25fps
Main Stream	PAL:25fps(4640×1728, 4096×1520) NTSC:24fps(4640×1728, 4096×1520)
Sub Stream	PAL:25fps(1408×528) NTSC:24fps(1408×528)

BLC	Yes
HLC	Yes
AGC	Yes
3D DNR	Yes
White Balance	Auto/Semi-Auto/Manual/Sunshine/Nature Light/Warmlight Lamp/Daylight Lamp/Filament Lamp/Lock White Balance
ROI	8 rectangular static areas
OSD	Overlay of additional characters in 5 regions, 2 lines, with a maximum of 127 characters per region; 16*16/32*32/48*48/64*64/96*96/128*128; Vector/Lattice
Picture Overlay	1*200x200 size BMP 24 color bit image overlay
Privacy Mask	4 black static areas
Defog	Yes

Feature

General Alarm	Motion Detection; Mask Alarm; Alarm Input
Exceptions Alarm	Voltage Alarm; Disk Full; Disk R/W Error; IP Address Conflict; MAC Address Conflict; FTP Server Exception ; Network Disconnection
Linkage Method	Send Email; Trigger Sound; Trigger Warmlight; Trigger Recording; Trigger Capture; Notify Surveillance Center; Alarm Output
Video Analytics	Human/Vehicle Classification; Tripwire; Perimeter; Video Abnormal; Audio Abnormal
Rules of Behavior Analyse In 1 Scene	8
Early Warning(EW)	Yes

Network

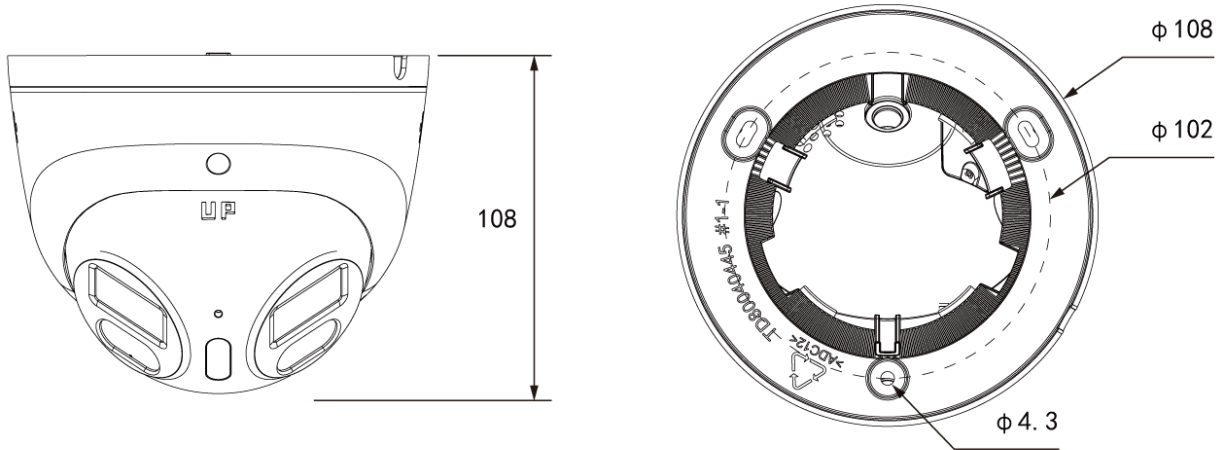
ANR	Yes
Protocols	RTSP; RTMP; HTTP; HTTPS; TCP; UDP; UPnP; ICMP; IGMP; SNMP v1\v2\v3; DHCP; DNS; DDNS; Easy DDNS; NTP; SMTP; TLS v1.2; SSL; 802.1X; QoS; IPv4; IPv6; PPPoE; SSH; Unicast; Multicast; RTCP; ARP; RTP; SRTP; FTP; SFTP
System Compatibility	ONVIF(Profile S/T/G/M) ; SDK; CGI; Milestone
Remote Connection	≤7
Client	NetVideo
Mobile Client	Video Sight
Web	IE10+; Firefox52+; Edge89+; Safari11+; Chrome57+

Interface

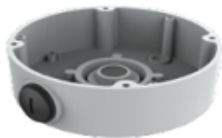
Communication Interface	1×RJ-45 (10/100 Base-T)
Audio I/O	1×input, two-core , max. input amplitude:3.3 Vpp, input impedance:1 KΩ, interface type:non-equilibrium; 1×output, two-core, max. output amplitude:3.3 Vpp, output impedance:100 Ω, interface type: non-equilibrium
Alarm I/O	1×input,TTL,3mA,3.3VDC; 1×output,TTL,30mA,12VDC
Built-in Mic	1×Built-in Mic
Built-in Speaker	1×Built-in Loudspeaker

Reset Button	Yes
On-board Storage	Support microSD/microSDHC/microSDXC card, up to 512GB
RTC	Yes
General	
Web Client Language	17 languages English/Spanish/Korean/Italian/Turkish/Russian/Thai/French/Polish/Dutch/Hebrew/Arabic/ Vietnamese/German/Ukrainian/Portuguese/Albanian
Operating Temperature	-35°C~65°C(-31°F~149°F)
Operating Humidity	≤95%RH
Storage Temperature	-35°C~65°C(-31°F~149°F)
Storage Humidity	10%~95%RH(non-condensing)
Power Supply	DC12V±25%,Max. 12W; PoE:IEEE 802.3at,Max. 14.5W
Protection	Surge4000V; ESD6000V; IP67
Boundary Dimensions	132(L)132(W)108(H)mm
Package Dimensions	180(L)170(W)140(H)mm
GrossWeight	0.9kg

DIMENSIONS (Unit: mm)



Assembly diagram of Junction Box



CS-P54BM



A28



A25



A36



A35