

CS-I8PS EX-I-2.7-13.5mm

8MP Vari-focal lens Explosion Proof Corrosion Proof



Intelligent Series



IP66 IP68 IP69   

Application Scenarios

The ATEX & IECEx certified-classic explosion-proof corrosion-proof camera, which can load various camera. This product has obtained group II explosion-proof level certification and temperature level certification, applicable for Zone 1 and Zone 2 hazardous areas that explosive mixture of group IIA, IIB, IIC, T1~T6 gases, vapors and air may exist, Zone 21 and Zone 22 hazardous areas that explosive dust may exist. For example: refine, oil extraction, gas extraction, chemical, petrol station and other environment.



Email: sales@canadasecurity.com
Website: canadasecurity.com




US : +1 301 900 1000
CA : +1 289 800 9000

KEY FEATURES

- ATEX, IECEx certified
- Application: Gas zone 1 and zone 2; Dust zone 21 and zone 22
- Ex db IIC T6 Gb/ Ex tb IIIC T80°C Db
- Stainless steel 304/316L
- Optional electropolished or corrosion resistant paint finish
- Enclosure Protection: IP66 IP68 (2m 2h) IP69
- 8MP, Max. 3840*2160 resolution
- 1/2.8" progressive scan, CMOS image sensor
- Motorized vari-focal lens 2.7-13.5mm
- Power input: DC12V or POE power supply
- S+265/H.265/H.264/M-JPEG
- Built-in IR LED, up to 80m distance
- Enclosure Protection: IP66 IP68 (2m 2h) IP69
- Min. illumination Color: 0.01Lux@F1.6
- Intelligent monitoring: Intrusion, tripwire.
- Support Human/Vehicle Classification
Support Face Capture Mode

SPECIFICATIONS

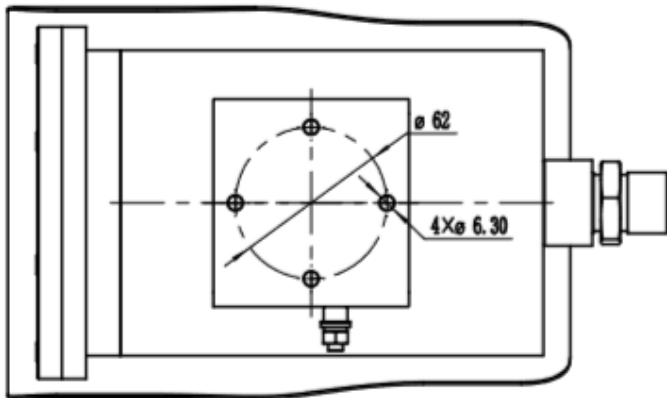
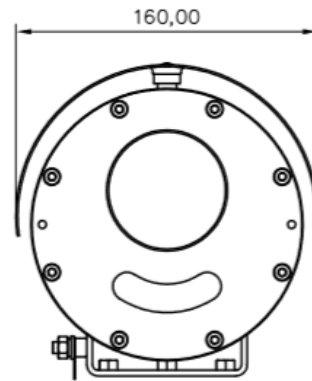
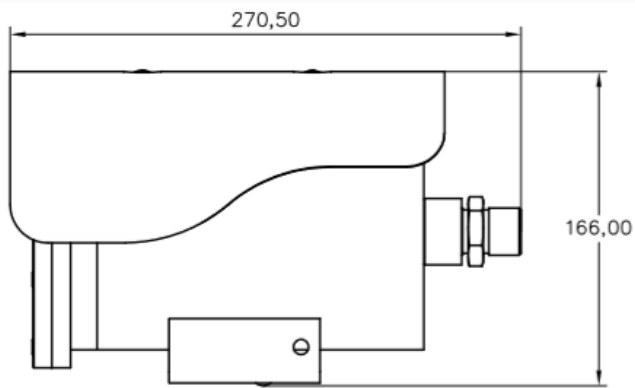
Camera	
Image Sensor	1/2.8" CMOS
Signal System	PAL/NTSC
Min. Illumination	Color: 0.01Lux@ (F1.6, ACG ON), B/W: 0Lux with IR
Shutter Time	1s to 1/100,000s
Day & Night	Dual IR Cut Filter with Auto Switch
Wide Dynamic Range	120dB
Angle Adjustment	Bracket, pan 0~360°, tilt 0~75°, rotate 0~360°
Lens	
Lens Type	Motorized
Focus	2.7-13.5mm
Lens Mount	Φ14
Aperture	F1.6~F3.3, Fixed
FOV	Horizontal field of view: 102.7°~29°
Illuminator	
IR LEDs	4
IR Range	Up to 80m
Wavelength	850nm
White/Warmlight LEDs	N/A
Compression Standard	
Video Compression	S+265/H.265/H.264/M-JPEG
Video Bit Rate	32Kbps~16Mbps
Audio Compression	G.711A/G.711U/ADPCM/AAC
Audio Bit Rate	8K~48Kbps
Image	
Max. Resolution	3840×2160
Main Stream	PAL: 20fps (3840×2160, 3072x2048), 25fps (2560×1440, 2304×1296, 1920×1080, 1280×720) NTSC: 20fps (3840×2160, 3072x2048), 30fps (2560×1440, 2304×1296, 1920×1080, 1280×720)
Sub Stream	PAL: 25fps (704×576, 704×288, 640×480, 352×288) NTSC: 30fps (704×480, 704×240, 640×480, 352×240)
Third Stream	PAL: 25fps(1280×720, 704×576, 704×288, 640×360, 352×288) NTSC: 30fps(1280×720, 704×480, 704×240, 640×360, 352×240)

Image Setting	Saturation, brightness, contrast, sharpness, adjustable by client software or web browser
Image Enhancement	BLC/3D DNR/HLC/Corridor Format
ROI	Support 8 fixed regions of coding
OSD	16×16, 24×24, 32×32, 48×48, 64×64, 96×96, adaptable size, Letters Such as Week, Date, Time, Total 8 Regions
Picture Overlay	Yes
Privacy Mask	Yes, 8 regions
Smart Defog	Yes
Feature	
Alarm Trigger	Event Input, Event Output, Motion Detection, Mask Alarm, Disk Full, Disk R/W Error, IP Address Conflict, MAC Address Conflict, FTP Server Exception
Video Analytics	Tripwire, Double Tripwire, Perimeter, Object Abandon, Object Lost, Loitering, Running, Parking, Crowded, People Counting, On Duty Detection, Video Abnormal, Audio Abnormal, Heatmap, Face Capture(Face Detection), Safety Helmet Detection, Human/Vehicle Classification
Early Warning(EW)	N/A
Network	
ANR	Yes, auto store video in SD card when NVR disconnected, and upload video to NVR when resumed connection (Only Support Tiandy ANR NVR)
Protocols	TCP/IP, ICMP, HTTP, HTTPS, DHCP, DNS, DDNS, RTP, RTSP, RTCP, PPPoE, MULTICAST, UPnP, FTP, IPV4, NTP, SMTP, IGMP, 802.1x, QoS, IPV6, ARP, UDP, SNMP, SSL, SIP, Telnet, SNTIP, RTMP, SFTP, NFS
System Compatibility	ONVIF (PROFILE S/T/G), SDK, Milestone, CGI, P2P
Remote Connection	≤7
Client	NetVideo / Video Sight
Web Version	Web6
Interface	
Communication Interface	1 RJ45 10M/ 100M self adaptive Ethernet port, RS 485
Audio	1/1
Alarm	2/1
Reset Button	Yes
On-board storage	Built-in Micro SD card slot, up to 512 GB
Certification	
Certification	ATEX, IECEx certified
Explosion proof certification	DNV 22 ATEX 51565X IECEX DNV 22.0097X
ATEX Explosion proof marking	  2460 2 G Ex db C T6 Gb 2 D Ex tb C T80 Db 
IECEX Explosion proof marking	Ex db IIC T6 Gb/Ex tb IIIC T80 Db
Power	
Power Supply	DC12V±25%/PoE
Power Consumption	MAX: 8.5W (12V) MAX: 10W (PoE)

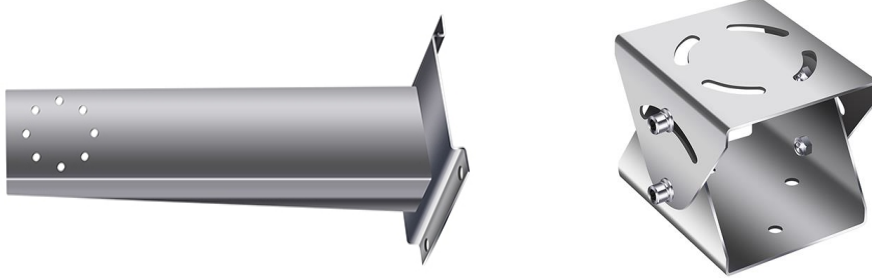
Environment	
Ambient Temperature	-40 °C to +60 °C (-40 °F to +140 °F)
Operating Humidity	95%
Storage Temperature	-40 °C to +60 °C (-40 °F to +140 °F)
Protection	IP66 IP68 (2m 2h) IP69
Structure	
Casing	-40 °C to +60 °C (-40 °F to +140 °F)
Product Dimensions	95%
Cable thread hole	-40 °C to +60 °C (-40 °F to +140 °F)
Pigtail Cable	IP66 IP68 (2m 2h) IP69
Net Weight	5.6 kg (12.34 lb)
Gross Weight	6.5 kg (14.33 lb)
Bracket	ZAZ100B Wall bracket with adaptor

* Listed resolutions are only selectable options. It does not mean that all streams can work at their maximum resolution at the same time.

Dimension



Wall bracket with adaptor



General	
Material	Stainless steel 304 or 316L
Max Loading	20kg
Gross Weight	2.5kg

Dimension

