

CS-I8WQ I-2.8mm

8MP Fixed Active Deterrent Bullet Network Camera

Intelligent Series



KEY FEATURES

- Default: Metal+Plastic, M: Metal Housing
- Up to 3840x2160@25fps
- S+265/H.265/H.264
- Min. illumination Color: 0.002Lux@F1.6
- Smart IR, IR Range: 50m
- Support tripwire , perimeter&Human/Vehicle Classification

- Built-in Mic, SD Card Slot, Reset Button
- Operating Conditions -40°~65°, 0~95% RH
- POE, IP67



Email: sales@canadasecurity.com
Website: canadasecurity.com

US : +1 301 900 1000
CA : +1 289 800 9000

SPECIFICATIONS

Camera	
Image Sensor	1/2.8" CMOS
Signal System	PAL/NTSC
Min. Illumination	Color: 0.002Lux@ (F1.6, AGC ON), B/W: 0Lux with IR
Shutter Time	1s to 1/100,000s
Day & Night	Dual IR Cut Filter with Auto Switch
Wide Dynamic Range	120dB
Angle Adjustment	Bracket, pan: 0° to 360°, tilt: 0° to 90°, rotate: 0° to 360°
Lens	
Lens Type	Fixed
Focus	2.8mm
Lens Mount	M12
Aperture	F1.6, Fixed
FOV	Horizontal field of view: 105.3°(2.8mm)87.8°(4mm) Vertical field of view: 56.9°(2.8mm)45.1°(4mm) Diagonal field of view: 127.9°(2.8mm)104.9°(4mm)
Illuminator	
White LEDs	2
Whitelight Distance	Up to 30 m
Wavelength	850nm
White LEDs/Warmlights	2
Range	15-20m
Compression Standard	
Video Compression	S+265/H.265/H.264
Video Bit Rate	32 Kbps~16 Mbps
Audio Compression	G.711A/G.711U/ADPCM_D/AAC_LC
Audio Bit Rate	8K~48Kbps
Image	
Max. Resolution	3840x2160
Main Stream	PAL : 20fps (3840x2160 , 3072x2048) , 25fps (2560x1440 , 2304x1296 , 1920x1080 , 1280x720) NTSC: 20fps (3840x2160 , 3072x2048) , 30fps (2560x1440 , 2304x1296 , 1920x1080 , 1280x720)
Sub Stream	PAL: 25fps(704x576 , 704x288 , 352x288 , 640x360) NTSC: 30fps(704x480 , 704x240 , 352x240 , 640x360)
Third Stream	PAL : 25fps(704x576 , 704x288 , 352x288 , 640x480) NTSC: 30fps(704x480 , 704x240 , 352x240 , 640x480)
Image Setting	Saturation, brightness, contrast, sharpness, adjustable by client software or web browser
Image Enhancement	BLC/3D DNR/HLC
ROI	8
OSD	16x16, 32x32, 48x48, 64x64, 96x96, adaptable size, Letters Such as Week, Date, Time, Total 3 Regions
Picture Overlay	Yes
Privacy Mask	Yes, 4 regions
Defog	Yes
Feature	
Alarm Trigger	Motion Detection, Mask Alarm, IP Address Conflict
Video Analytics	Tripwire, Perimeter
Early Warning(EW)	Yes

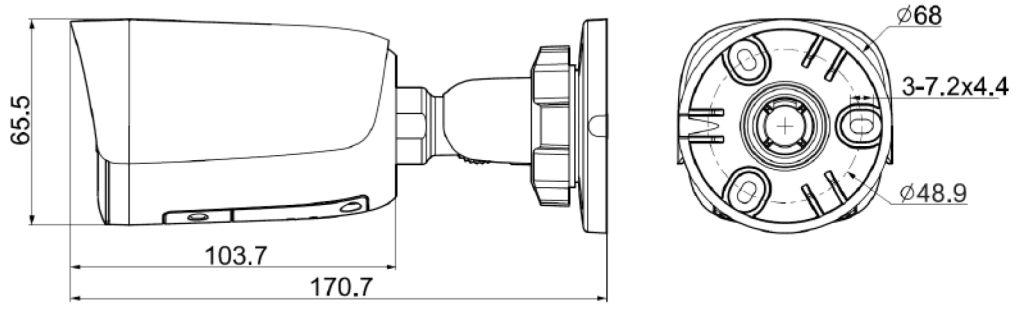
Network	
ANR	Yes, auto store video in SD card when NVR disconnected, and upload video to NVR when resumed connection (Only Support CASE ANR NVR)
Protocols	TCP/IP, ICMP, HTTP, HTTPS, DHCP, DNS, DDNS, RTP, RTSP, RTCP, PPPoE, MULTICAST, UPnP, FTP, IPV4, NTP, SMTP, IGMP, 802.1x, QoS, IPV6, ARP, UDP, SNMP, SSL, SIP, Telnet, RTMP, SFTP, NFS
System Compatibility	ONVIF (PROFILE S/T/G), SDK, CGI, Milestone, SRTP, RTMP
Remote Connection	≤2
Client	NetVideo / Video Sight
Web Version	Web6
Interface	
Communication Interface	1 RJ45 10M/ 100M self adaptive Ethernet port
Audio I/O	1/1
Alarm I/O	1/1
Reset Button	Yes
On-board storage	Built-in Micro SD card slot, up to 512 GB
General	
Web Client Language	15 languages English/Spanish/Italian/Korean/Turkish/Russian/Thai/Polish/French/Dutch/Hebrew/Vietnamese/Arabic/German/Ukrainian
Operating Conditions	-40°C ~ 65°C, 0 ~ 95% RH
Power Supply	DC 12V±25%, PoE (802.3af)
Power Consumption	MAX: 7W(12V) MAX: 8W(POE)
Protection	IP67
Heater	N/A
Dimensions	170.7×68x68mm
Net Weight	0.52kg
Dimensions of single packing case	210×92x110mm
Gross Weight	0.65kg
Volume of packing box	24

* Listed resolutions are only selectable options. It does not mean that all streams can work at their maximum resolution at the same time.

AVAILABLE MODEL

CS-I8WQ I-2.8mm

DIMENSIONS (Unit: mm)



DISTRIBUTED BY

