

CS-P24S 23X 2MP 23X IR PTZ Camera



Intelligent Series



KEY FEATURES

- Up to 2MP, 1920×1080@30fps
- Color: 0.001lux@ (F1.5, AGC ON), B/W: 0lux with IR
- S+265/H.265/H.264B/H.264M/H.264H/Motion JPEG
- Optical zoom 23X
- IR range up to 150m
- Built-in Micro SD card slot, up to 512 GB
- Support smart surveillance
- Support human/vehicle classification
- Operating conditions -30°C~65°C(-22°F~149°F), ≤95%RH
- DC12V±10%, PoE: IEEE 802.3at
- IP66



Email: sales@canadasecurity.com
Website: canadasecurity.com

US : +1 301 900 1000
CA : +1 289 800 9000

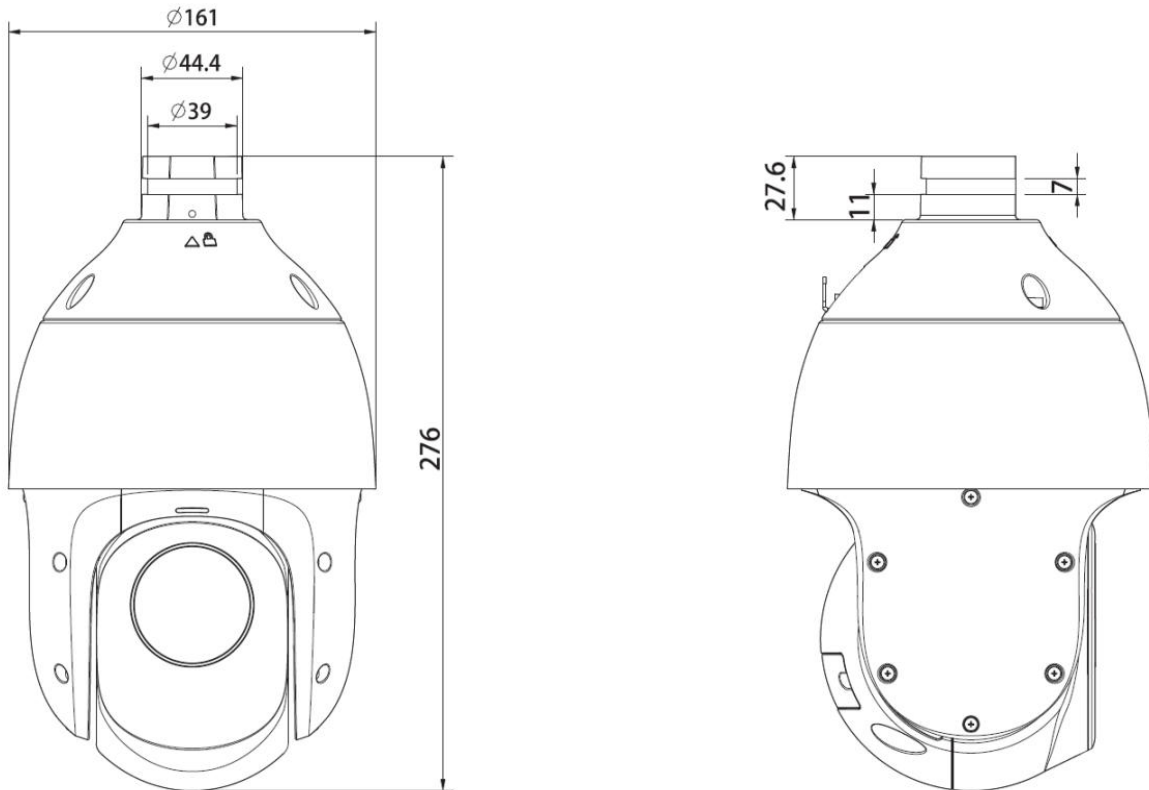
SPECIFICATIONS

Camera	
Image Sensor	1/2.8"CMOS
Min. Illumination	Color:0.001lux@ (F1.5,AGC ON),B/W:0lux with IR
Shutter Time	1s~1/100000s
Day&Night	IR-cut filter with auto switch (ICR)
Smart IR	Yes
WDR	120dB
S/N	42dB
Lens	
Focal Length	5mm~115mm
Optical Zoom	23X
Zoom Speed	<5s
Aperture Range	F1.5~F3.0
Aperture Type	Auto(P-Iris)
Field of View	55.8°~3.2°(H); 32.2°~1.8°(V); 61°~3.64°(D)
Focus Control	Auto/Semi-auto/Manual
Close Focus Distance	1000mm~1500mm
DORI Distance	Detect:1351m Observe:536m Recognize:270m Identify:135m
Pan&Tilt	
Pan Range	360°
Pan Speed	Manual Speed:0.1°~80°/s Preset Speed:80°/s
Tilt Range	-16°~90° (Default -3°~90°)
Tilt Speed	Manual Speed:0.1°~80°/s Preset:80°/s
3D Position	Yes
Preset	500
Cruise	16,up to 32 presets per cruise
Scan	8
Pattern	8,each with 600s memory or 1000 orders
Scheduled Task	Preset,Cruise,Scan,Pattern
North Point	Yes(Manual setting)
Power-off Memory	Yes
Illuminator	
IR LEDs	7
IR Distance	Up to 150m
Wavelength	850nm
IR Irradiation Angle	Yes
Compression Standard	
Video Compression	S+265/H.265/H.264B/H.264M/H.264H/Motion JPEG
Video Bit Rate	32Kbps~16Mbps

Image	
Max. Resolution	2MP,1920×1080@30fps
Main Stream	PAL:25fps(1920×1080,1280×720,640×480,704×576) NTSC:30fps(1920×1080,1280×720,640×480,704×480)
Sub Stream	PAL:25fps(704×576,704×288,640×360,352×288) NTSC:30fps(704×480,704×240,640×360,352×240)
Third Stream	PAL:25fps(352×288) NTSC:30fps(352×240)
BLC	Yes
HLC	Yes
AGC	Yes
3DNR	Yes
White Balance	Auto/Semi-Auto/Manual/Sunshine/Nature Light/Warmlight Lamp/Daylight Lamp/Filament Lamp/Lock White Balance
ROI	7 Dynamic Areas for Both Main and Sub Stream
OSD	5 regions(Each region can have a maximum of 127 characters ,up to 1 line); 16*16/24*24/32*32/48*48/64*64/adaptable size; Vector/Lattice
Defog	Yes
Flip	Normal/Horizontal Mirror/Vertical Mirror/Inverted Flip
Regional Exposure	Yes
Regional Focus	Yes
Demist	Yes
Feature	
General Alarm	Motion Detection; Mask Alarm
Exceptions Alarm	Voltage Alarm; Disk Full; Disk R/W Error; Recording Exception; IP Address Conflict; MAC Address Conflict; FTP Server Exception ; Network cable disconnected
Linkage Method	Send Email; Trigger Recording; Trigger Capture; Notify Surveillance Center
Video Analytics	Human/Vehicle Classification; Tripwire; Double Tripwire; Perimeter; Object Abandon; Object Missing; Heatmap; Video Abnormal
Network	
ANR	Yes
Protocols	HTTP; HTTPS; TCP/IP; UDP; UPnP; ICMP; IGMP; SNMP v1\2\3; DHCP; DNS; DDNS; Easy DDNS; NTP; SMTP; TLS v1.2; SSL; 802.1x; QoS; IPv4; IPv6; PPPoE; SSH; Unicast; Multicast; ARP; RTP; SRTP; FTP; SFTP
System Compatibility	P2P; ONVIF(Profile S/T/G/M); SDK; CGI; Milestone; RTSP; RTMP
Remote Connection	≤2
User/Host	Up to 32 users. 4 user levels
Client	NetVideo
Moblie Client	Video Sight
Web	IE10+; Firefox52+; Edge89+; Safari11+; Chrome57+
Interface	
Communication Interface	1*RJ45 (10/100Base-T)
Reset Button	Yes

On-board Storage	Built-in Micro SD card slot, up to 512 GB
General	
Web Client Language	19 languages English/panish/Italian/ Korean/Turkish/Russian/Thai/ Polish/ French/Dutch/ Hebraism/Vietnamese/Arabic/German/ Ukrainian /Portuguese/Albanian
Operating Temperature	-30°C~65°C(-22°F~149°F)
Operating Humidity	≤95%RH
Storage Temperature	-30°C~65°C(-22°F~149°F)
Storage Humidity	10%~95%RH(non-condensing)
Power Supply	DC12V±10%; PoE:IEEE 802.3at
Power Consumption	7.3W(IR OFF) ; 17.6W(IR ON)
Protection	Surge4000V; ESD6000V; IP66
Material	Metal+plastic
Boundary Dimensions	161mm(D)x276mm(H)
Package Dimensions	260(L)260(W)465(H)mm
GrossWeight	3.7kg
NetWeight	2.1kg

DIMENSIONS (Unit: mm)



* Listed resolutions are only selectable options. It does not mean that all streams can work at their maximum resolution at the same time.

Assembly diagram of Junction Box



CS-P52BM



CS-P32EM



A35



DF21Y



A36