

CS-P44S 25XA 4MP 25X Optical Zoom PTZ Camera



Intelligent Series



KEY FEATURES

- Up to 2560x1440@25fps
- Color: 0.001lux@ (F1.6, AGC ON), B/W: 0lux with IR
- S+265/H.265/H.264/M-JPEG
- Optical Zoom 25X
- IR Range Up to 150m
- Built-in Micro SD card slot, up to 512 GB
- Support Smart surveillance, Capture facial images
- Support Human/Vehicle Classification
- Operating Conditions -30°C 65°C(IR OFF) -30°C 40°C(IR ON), 0-95%
- DC12V±10%, POE IEEE802.3AT
- IP66



Email: sales@canadasecurity.com
Website: canadasecurity.com

US : +1 301 900 1000
CA : +1 289 800 9000

SPECIFICATIONS

Camera	
Image Sensor	1/2.7"CMOS
Min. Illumination	Color: 0.001lux@ (F1.6, AGC ON), B/W: 0lux with IR
Shutter Time	1s~1/100000s
Day&Night	IR-cut filter with auto switch (ICR)
WDR	120dB
Lens	
Focal Length	4.8mm~120mm
Optical Zoom	25X
Digital Zoom	16X
Zoom Speed	<5s
Aperture Range	F1.67~F3.67
Field of View	58°~2.8°(H); 33.9°~1.7°(V); 64.8°~3.3°(D)
Focus Control	Auto/Semi-auto/Manual
Iris Control	Auto
Close Focus Distance	500mm~5000mm
DORI Distance	Detect:1980m Observe:785m Recognize:396m Identify:198m
Pan&Tilt	
Pan Range	360°
Tilt Range	-16°~90° (Default -3°~90°)
Tilt Speed	Manual Speed:0.1°~120°/s Preset: 180°/s
3D Position	Yes
Preset	500
Cruise	16, up to 32 presets per cruise
Scan	8
Pattern	8, each with 600s memory or 1000 orders
Scheduled Task	Preset、Cruise、Scan、Pattern
North Point	Yes(Manual setting)
Power-off Memory	Yes
Illuminator	
IR LEDs	7
IR Distance	Up to 150m
Wavelength	850nm
IR Irradiation Angle	Adjustable by Zoom
Compression Standard	
Video Compression	S+265/H.265/H.264/M-JPEG
Video Bit Rate	32Kbps~16Mbps
Audio Compression	G.711A/G.711U/ADPCM_D/AAC_LC
Audio Sampling Rate	8KHz/32KHz/48KHz
Image	

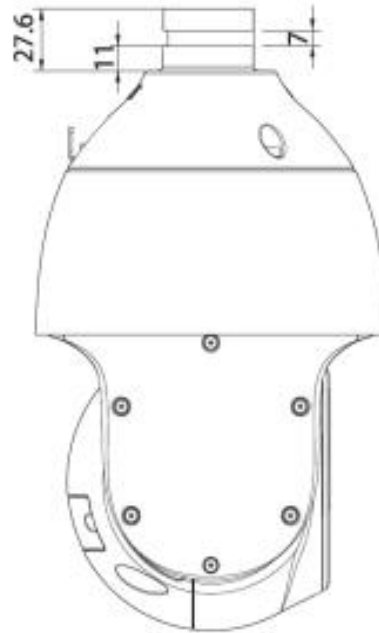
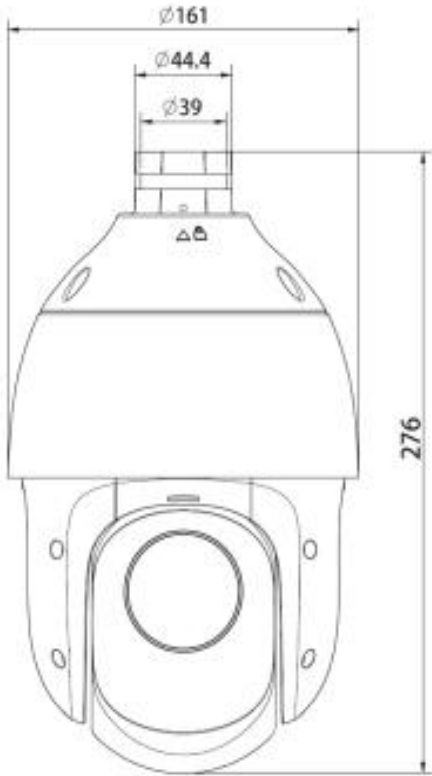
Max. Resolution	2560×1440@25fps
Main Stream	PAL:25fps(2560×1440, 2304×1296, 1920×1080, 1280×720) NTSC:30fps(2560×1440, 2304×1296, 1920×1080, 1280×720)
Sub Stream	PAL:25fps(704×576, 704×288, 352×288, 640×360) NTSC:30fps(704×480, 704×240, 352×240, 640×360)
Third Stream	PAL:25fps(704×576, 704×288, 352×288, 640×480) NTSC:30fps(704×480, 704×240, 352×240, 640×480)
BLC	Yes
HLC	Yes
AGC	Yes
White Balance	Yes
ROI	7 rectangular 3D fixed focus areas, supporting 1 rectangular dynamic tracking ROI
OSD	5 regions(Each region can have a maximum of 127 characters ,up to 5 lines); 16*16/24*24/32*32/48*48/64*64/96*96/adaptable size; Vector/Lattice
Defog	Yes
Flip	Normal/Horizontal Mirror/Vertical Mirror/Inverted Flip
Regional Exposure	Yes
Regional Focus	Yes
Demist	Yes
Privacy Mask	24 regions(Up to 4 blocks in the same scene)
Feature	
Alarm Trigger	Motion Detection; Mask Alarm; Voltage Alarm; Disk Full; Disk R/W Error; Recording Exception; IP Address Conflict; MAC Address Conflict; FTP Server Exception ; Event Input,Event Output; Network cable disconnected
Linkage Method	send email; trigger sound; trigger recording; trigger capture; notify surveillance center
Video Analytics	Human/Vehicle Classification; Tripwire; Double Tripwire; Perimeter; Object Abandon; Object Lost; Heatmap; Loitering; Running; Parking; People Counting; Crowded; Safety Helmet Detection; On Duty Detection; Video Abnormal; Audio Abnormal
Auto-Tracking	Auto-Tracking
Face Mode	Capture facial images
Network	
ANR	ANR
Protocols	HTTP; HTTPS; TCP/IP; UDP; UPnP; ICMP; IGMP; SNMP v1\v2\v3; DHCP; DNS; DDNS; Easy DDNS; NTP; SMTP; TLS; SSL; 802.1x; QoS; IPv4; IPv6; PPPOE; SSH; Unicast; Multicast; ARP; RTP; SRTSP; RTSP; FTP; SFTP; NAS; PING
System Compatibility	ONVIF Profile S/T/G/M; CGI; Milestone; RTMP
Remote Connection	≤7
User/Host	Up to 32 users. 4 user levels
Client	NetVideo
Moblle Client	VideoSight
Interface	
Communication Interface	1*RJ45 10M/ 100M self adaptive Ethernet port
Audio I/O	1*Input Impedance 1kΩ,2.0~2.4Vp-p; 1*Output Impedance 600Ω



Alarm I/O	1,Switching; 1,Switching,Voltage≤DC24V,Current≤1A
Reset Button	Yes
On-board storage	Built-in Micro SD card slot, up to 512 GB
General	
Web Client Language	17 languages English/Spanish/Italian/ Korean/Turkish/Russian/Thai/Polish/French/Dutch/ Hebraism/Vietnamese/Arabic/German/ Ukrainian /Portuguese/Albanian
Operating Temperature	-30°C~65°C(IR OFF) -30°C~40°C(IR ON)
Operating Humidity	0-95%
Storage Temperature	-30°C~65°C
Storage Humidity	0-95%(non-condensing)
Power Supply	DC12V±10%; POE IEEE802.3AT
Protection	Surge protection 4000V; Lightning proof 6000V; IP66
Material	Metal
Boundary Dimensions	161mm(D)x276mm(H)
Package Dimensions	260(L)*260(W)*465(H)mm
GrossWeight	5Kg
NetWeight	3kg

* Listed resolutions are only selectable options. It does not mean that all streams can work at their maximum resolution at the same time.

DIMENSIONS (Unit: mm)



Assembly diagram of Junction Box

