

CS-PSE3301AC

Single Port Gigabit PoE Injector



Sharp Series



OVERVIEW

A PoE injector, also known as a Power over Ethernet mid-span device, is a flexible and widely used power supply solution. A single-port PoE injector—essentially a PoE power supply module—is among the most popular products in this category.

Each injector has two RJ45 ports: one Ethernet IN port for uplink to a switch or other network device, and one PoE OUT port that delivers both data and power. These injectors can supply power either through the spare line pairs (4/5 [+], 7/8 [-]) or the data line pairs (1/2 [+], 3/6 [-]).

PoE injectors provide a simple, economical, and high-performance way to deliver both data communication and PoE power. They are an ideal choice for projects that require reliable quality due to their ease of use, simple installation, strong performance, and cost-effectiveness.

They can power cameras through Ethernet cables, making them especially useful in locations where direct electrical connections are difficult, while offering efficient and flexible deployment options.





FEATURE

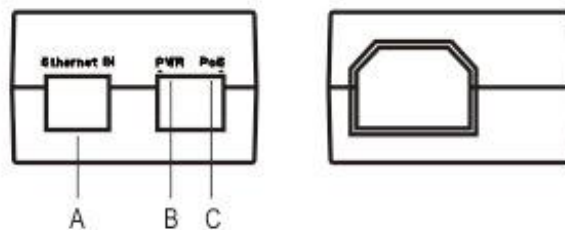
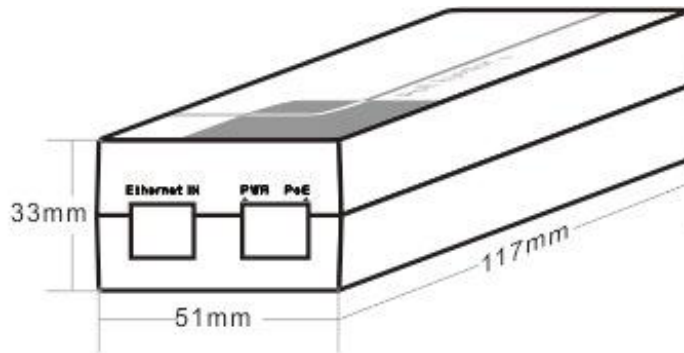
- ◇ Supply power to HD network surveillance cameras with Cat5e (PoE)
- ◇ 2x 10/100/1000M RJ45 ports; 1x AC input port
- ◇ AC input: 100~240V
- ◇ Compatible with IEEE 802.3af standard
- ◇ Coming with the Ethernet network port and PoE output port, and the power input port with lightning-proof function (meet the secondary lightning protection)
- ◇ Can supply power with the spare line pair(4/5 (+), 7/8 (-) method or the data line pair 1/2(+),3/6(-) method
- ◇ No fan, natural heat dissipation, small, quiet design, suitable for desktop or wall

TECHNICAL SPECIFICATION

Model	CS-PSE3301AC	CS-PSE3301AC-at
Port Description	2x copper cable RJ45 ports, 1x AC input port	
Power Supply Pin	mid-span: 4/5, 7/8 data line pair(default); end-span: 1/2,3/6 spare line pair (can be customized)	
Network Medium	1000Base-T: 5Cat and more UTP (≤100 meters)	
Thermal Protection	>100°C	
Working Rate	10/100/1000Mbps	
Network Port Protection	IEC61000-4-2(ESD)	
MTBF	100,000 hours	
LEDs Indicator	PoE working status	
PoE Standards	IEEE 802.3af	IEEE 802.3at
Total Power	18W	35W

PoE Port Power	15.4W	30W
AC Input Voltage	100~240V, 50~60Hz 0.5A	
DC Output Voltage	52V	
Dimensions	117*51*33mm	
Weight	0.14kg	
Operation TEMP / Humidity	-20° ~ 55°C; 10%~90%% RH Non condensing	
Storage TEMP / Humidity	-20° ~ 75°C; 10%~95% RH Non condensing	
Certification	CE mark,commercial,FCC Part 15 Class B, RoHS	
Warranty	6 years warranty	

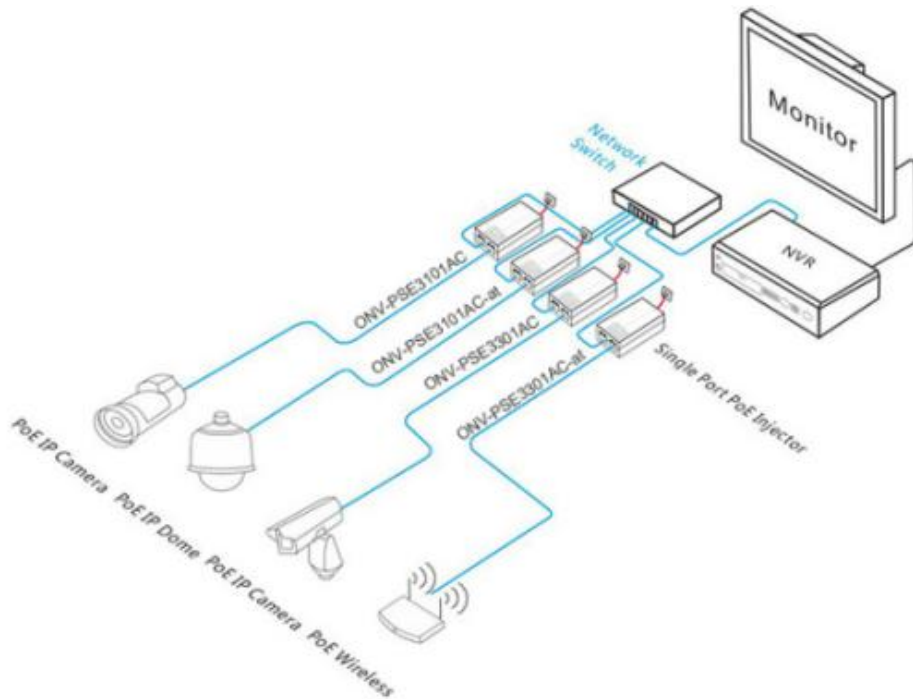
DIMENSION



A. RJ45 Input Port
C. PoE Output Port

B. Working Led Indicator
D. Power Input Port - AC100-240V 50/60Hz

APPLICATION



ORDERING INFORMATION

Model	Description
CS-PSE3101AC	10/100M single port PoE injector, 2x RJ45 ports, IEEE802.3af, total power is 18W
CS-PSE3101AC-at	10/100M single port PoE injector, 2x RJ45 ports, , IEEE802.3at, total power is 35W
CS-PSE3301AC	10/100/1000M single port PoE injector, 2x RJ45 ports, IEEE802.3af, total power is 18W
CS-PSE3301AC-at	10/100/1000M single port PoE injector, 2x RJ45 ports, , IEEE802.3at, total power is 35W

Notes: Default: 1/2 (+), 3/6 (-), optional: 4/5(+), 7/8(-)

PACKING LIST

	CONTENT	QTY	UNIT
PACKING LIST	Single port gigabit PoE injector	1	SET
	Power Cable	1	PC
	User Guide	1	PC
	Warranty Card	1	PC

